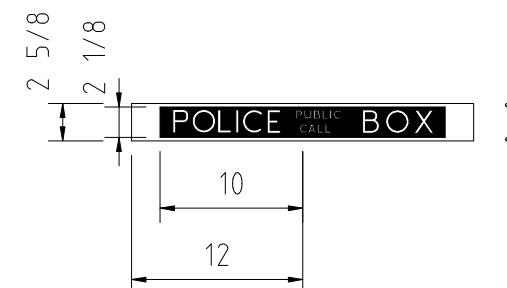
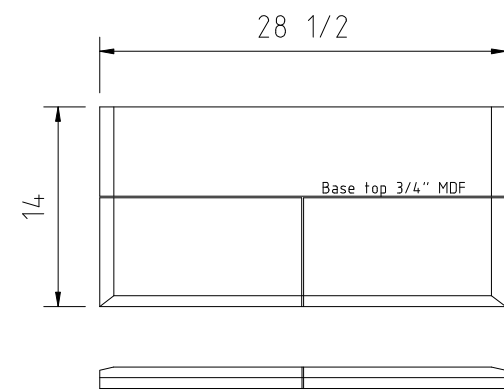
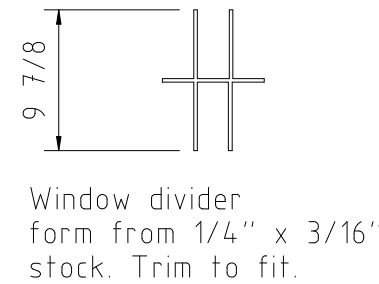
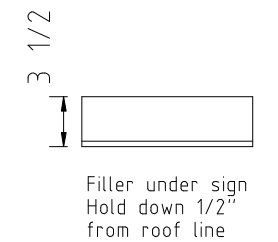
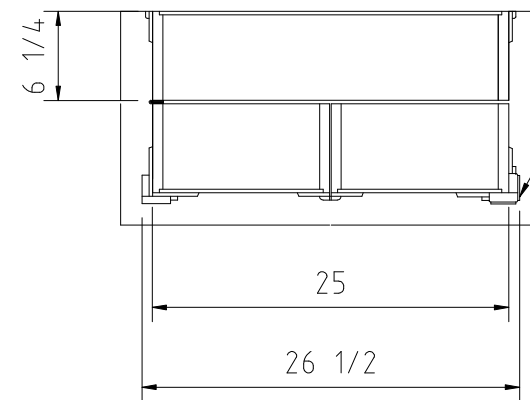
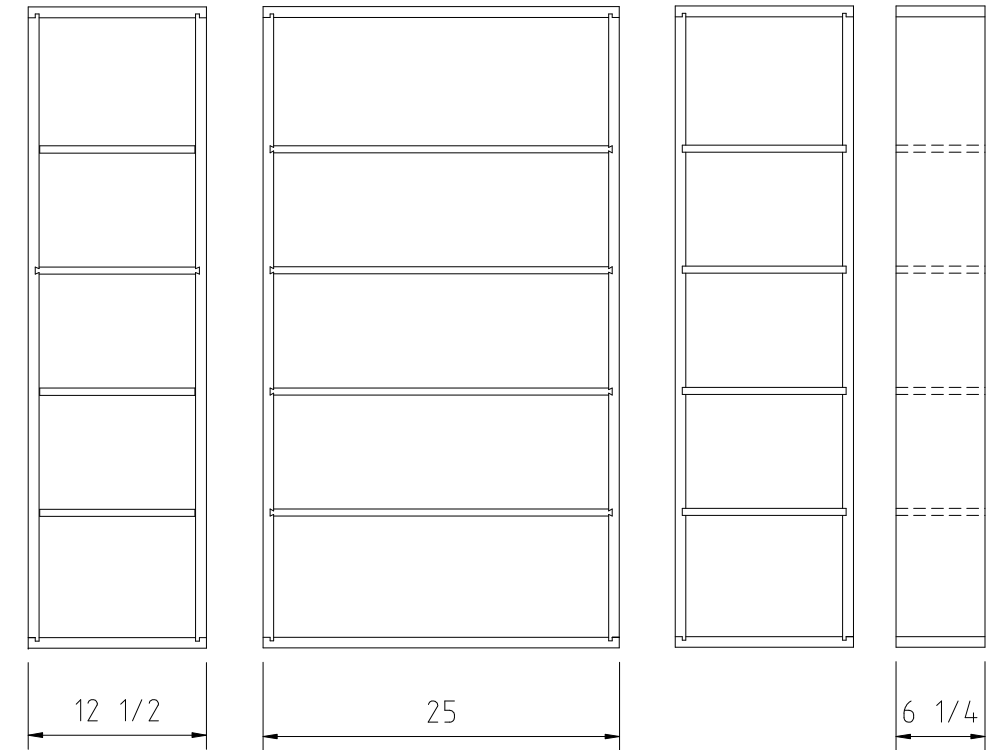


Side panels cut to fit front and back case sides



NOTES:

bevel angle for rails and stiles is 22.5 deg.

Case connections at shelves show variations, since the 'stiles' do not line up with the shelves, the use of fasteners from the outside should be avoided. A single fixed shelf would allow for an additional shelf for CD cases

There should be a mullion strip covering the door joint, running from base to the rabbeted filler. This should also be at the back of the side panels.

T.A.R.D.I.S.
Media Case

DESIGNED BY:

T.H. STURGILL

DATE:

9/15/2012